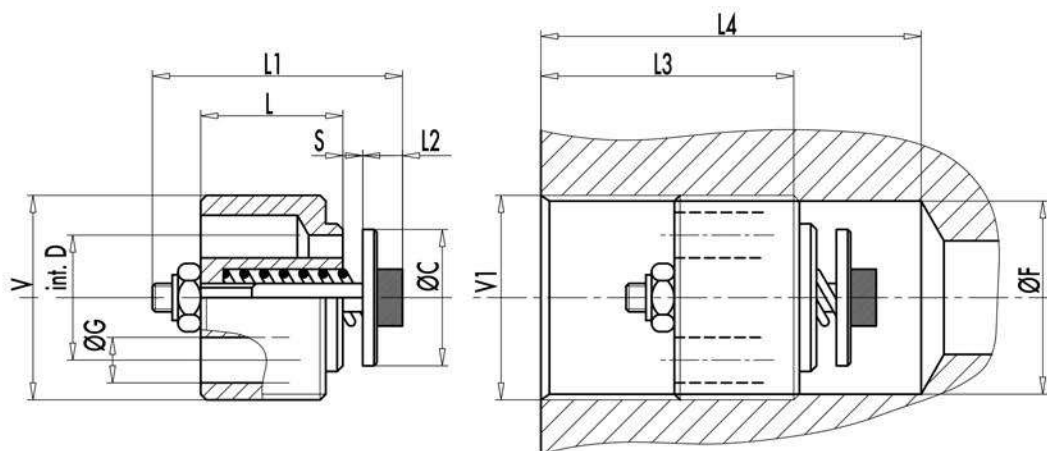


# HYDRO



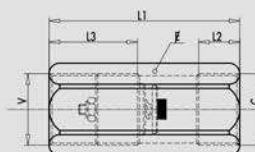
# MARK

CODE	TYPE	MAX FLOW lt. / min	MAX PRESSURE Bar
<b>V0770</b>	VUBA 1/4"	20	350
<b>V0780</b>	VUBA 3/8"	50	350
<b>V0790</b>	VUBA 1/2"	80	350
<b>V0800</b>	VUBA 3/4"	140	350
<b>V0810</b>	VUBA 1"	180	350

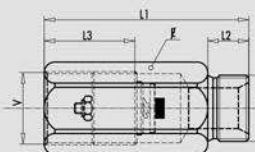


CODE	TYPE	V.V1 GAS	L mm	L1 mm	L2 mm	L3 mm	L4 mm	ØC mm	ØG mm	ØF mm	ØD(i) mm	S mm	WEIGHT kg
<b>V0770</b>	VUBA 1/4"	G1/4"	8	18	5	28	35	9,5	2,5	11,75	8	1,0	0,006
<b>V0780</b>	VUBA 3/8"	G3/8"	10,5	23	5	31	40	12,5	3,5	15,2	10,5	1,2	0,012
<b>V0790</b>	VUBA 1/2"	G1/2"	13	29	5	33	43	15	4,5	19	12,5	1,6	0,024
<b>V0800</b>	VUBA 3/4"	G3/4"	18	34	7	40	53	18,5	6	24,5	16	2,1	0,048
<b>V0810</b>	VUBA 1"	G1"	20	40	8	43	66	25	7	30,5	19	2,8	0,098

CODE	TYPE	V.C GAS	L1 mm	L2 mm	L3 mm	F mm	WEIGHT kg
<b>V0771</b>	VUBA 1/4"+MFF	G1/4"	50	16	28	19	0,072
<b>V0781</b>	VUBA 3/8"+MFF	G3/8"	58	17	31	24	0,132
<b>V0791</b>	VUBA 1/2"+MFF	G1/2"	62	18	33	27	0,146
<b>V0801</b>	VUBA 3/4"+MFF	G3/4"	75	21	40	32	0,220
<b>V0811</b>	VUBA 1"+MFF	G1"	85	26	43	41	0,452
<b>V0772</b>	VUBA 1/4"+MMF	G1/4"	50	12	28	19	0,064
<b>V0782</b>	VUBA 3/8"+MMF	G3/8"	58	13	31	24	0,120
<b>V0792</b>	VUBA 1/2"+MMF	G1/2"	62	14	33	27	0,140
<b>V0802</b>	VUBA 3/4"+MMF	G3/4"	75	16	40	32	0,228
<b>V0812</b>	VUBA 1"+MMF	G1"	85	19	43	41	0,456



TYPE  
**MFF**



TYPE  
**MMF**