



CODE

TYPE

MAX FLOW
Lt. / min

V0689

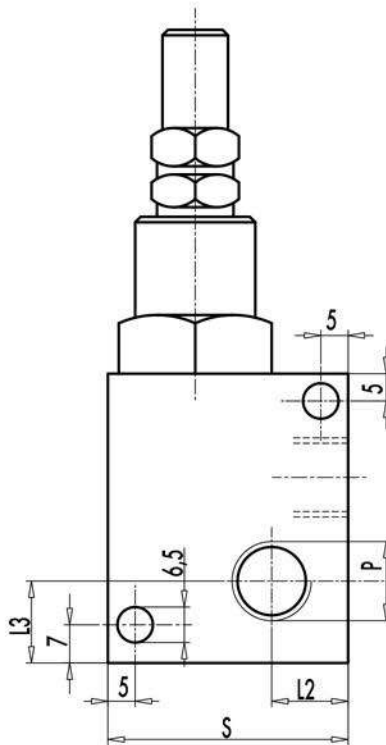
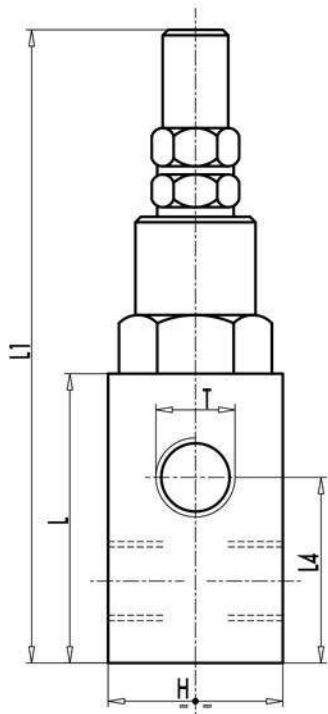
VMP 1/4" L

30

V0690

VMP 3/8" L

40



CODE	TYPE	P-T GAS	L mm	L1 mm	L2 mm	L3 mm	L4 mm	H mm	S mm	WEIGHT Kg
V0689	VMP 1/4" L	G 1/4"	52	114	12	13	34	30	40	0,474
V0690	VMP 3/8" L	G 3/8"	52	117	12	15	35,5	30	40	0,472

SPRINGS

Setting range (bar)	Pressure increase (bar/turn) Q= 4l/min	Standard setting (bar)
10 - 50*	7	30
10 - 180 standard	30	90
80 - 300	50	150

ADJUSTEMENT

- CODE/V
- CODE/PP
- CODE/PP
- Handknob
- Arranged for sealing cap
- Sealing cap

* For setting, less than 70 Bar: Q = 12 l/min